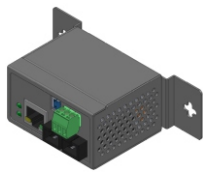


# EB1011ST -MM

Industrial Media Converter (Multi Mode)  
1 x 10/100M TX + 1 x 100M ST MM



Panel Mount



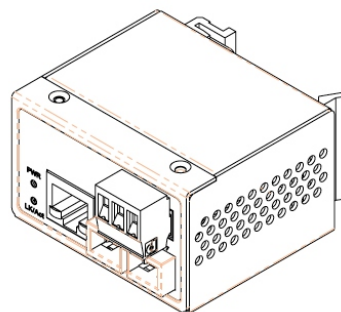
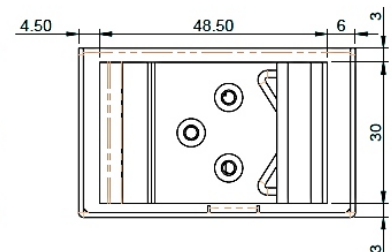
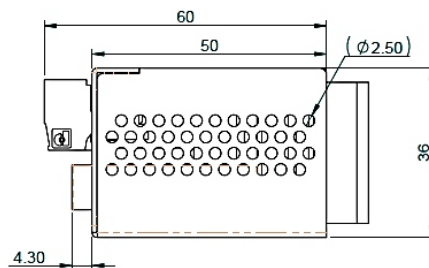
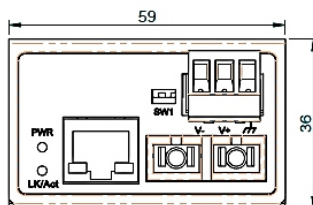
Din-Rail Mount

## Feature

- True Mini, rugged design enclosure 59x36x49mm (LxWxD)
- Supports 18V-36VAC/12V-60VDC/ or DC Jack socket
- Supports Link Fault Pass through (LFP) function
- Supports switch model and converter mode
- Surge protection diodes on power input
- ESD protection diodes on RJ-45 port
- Provides Far End Fault function on FX port
- Provides increased Noise Immunity
- Extended environmental specification -40°C to 75°C



## Dimensions (unit = mm)



## Specifications

### Technology

<b>Standards</b>	IEEE 802.3 10Base-T Ethernet IEEE802.3x Flow Control and Back Pressure	IEEE 802.3u 100Base-TX Fast Ethernet
------------------	---	--------------------------------------

<b>Data Processing</b>	Store and Forward
------------------------	-------------------

<b>Flow Control</b>	IEEE 802.3x Flow Control and Back Pressure
---------------------	--

### Properties

<b>Architecture</b>	Full wire speed conversion, Transparent conversion to 802.1Q VLAN tagged packets.
---------------------	--

<b>Removable Terminal Block</b>	3 pin contact terminal block for power input Wire range: 0.34mm <sup>2</sup> to 2.5mm <sup>2</sup> Stranded wire(AWG): 12-24/14-22 Solid wire (AWG):12-24/14-22 Torque:5lb-In/0.5Nm/0.56Nm Wire Strip length: 7-8mm
---------------------------------	--

<b>MAC address Table Size</b>	1K
-------------------------------	----

<b>Packet Buffer Size</b>	1Mbits
---------------------------	--------

<b>Jumbo Frame</b>	9KB
--------------------	-----

### Interface

<b>Network Connector</b>	1 x RJ-45 10/100BaseT(X) Auto negotiation, Auto MDI/MDI-X function, Full/Half duplex 1 x 100M ST Multi-Mode 2 km
--------------------------	--

<b>LED Indicators</b>	PWR(Power)(Green): ON Power is detected LK/Act (Green): ON - Fiber is detected Flashing-Data is transmitting/receiving
-----------------------	--

<b>LED Indicators</b>	RJ-45 port Green: ON - TX link is detected Flashing-TX data is transmitting/receiving Amber: ON 100M speed is detected OFF - 10M speed is detected
-----------------------	--

<b>DIP Switch</b>	DIP1: ON - Converter Mode OFF Switch Mode (Default) DIP2: ON - LFP enable OFF - LFP disable (Default) LFP(Link Fault Pass Through)
-------------------	--

### Power Requirements

<b>Power Input</b>	18V-36VAC, 12V-60VDC DC Jack terminal cable supported (DC Barrel Connector)
--------------------	--

<b>Overload Current Protection</b>	Present
------------------------------------	---------

<b>Reverse Polarity Protection</b>	Present
------------------------------------	---------

<b>Power Consumption</b>	Full Load: 1.92Watts at 48VDC
--------------------------	-------------------------------

<b>Power protection</b>	Surge protection diodes on power input
-------------------------	--

<b>Connector protection</b>	ESD protection diodes on TX port
-----------------------------	----------------------------------

<b>Conformance to UL Standards</b>	Use Isolated power supply to conform with UL 508 standard
------------------------------------	---

### Mechanical Characteristics

<b>Housing</b>	IP30 Design, high graded Aluminum
----------------	-----------------------------------

<b>Case Dimension (L X W X D)</b>	59 x 36 x 50 mm (L x W x D)
-----------------------------------	-----------------------------

<b>Installation</b>	DIN-Rail and wall mount brackets included
---------------------	---

### Environmental Limits

Operating Temperature	-40°C~75°C
Storage Temperature	-40°C to 85°C
Operating Humidity	5% to 95% (Non-condensing)

### Regulatory Approvals

Safety	EN60950-1
EMC/EMS	CE, FCC, VCCI
EN 60068-2-6	Vibration
EN 60068-2-27	Shock
EN 60068-2-32	Free Fall

### Ordering Information

EB1011ST-MM	Industrial Media Converter (Multi Mode)
-------------	---

Due to continuous improvement, all product specifications are subject to change without further notice.