

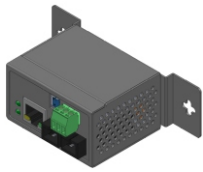
EB1011SC -MM SC

Industrial Media Converter (Multi Mode)
1 x 10/100M TX + 1 x 100M SC MM



Feature

- 1 x 10/100M TX + 1 x 100M SC MM
- Supports 18V-36VAC/12V-60VDC/ or DC Jack socket
- IP30 Design, high graded Aluminum
- DIN-Rail Mounting & Panel Mount
- Operating Temperature Range : -40°C~75°C



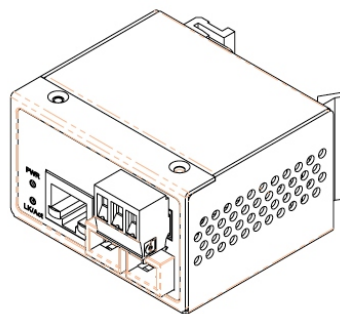
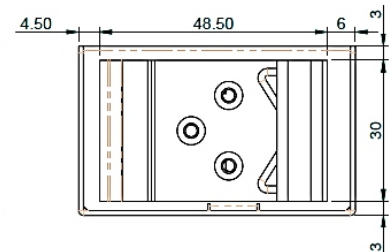
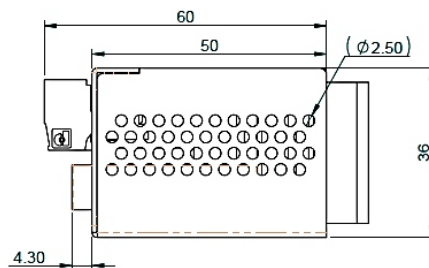
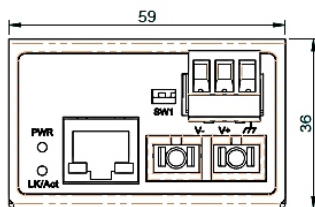
Panel Mount



Din-Rail Mount



Dimensions (unit = mm)



Specifications

Technology

Standards	IEEE 802.3 10Base-T Ethernet IEEE802.3x Flow Control and Back Pressure	IEEE 802.3u 100Base-TX Fast Ethernet
------------------	---	--------------------------------------

Data Processing	Store and Forward
------------------------	-------------------

Flow Control	IEEE 802.3x Flow Control and Back Pressure
---------------------	--

Properties

Architecture	Full wire speed conversion, Transparent conversion to 802.1Q VLAN tagged packets.
---------------------	--

Removable Terminal Block	3 pin contact terminal block for power input Wire range: 0.34mm ² to 2.5mm ² Stranded wire(AWG): 12-24/14-22 Solid wire (AWG):12-24/14-22 Torque:5lb-In/0.5Nm/0.56Nm Wire Strip length: 7-8mm
---------------------------------	--

MAC address Table Size	1K
-------------------------------	----

Packet Buffer Size	1Mbits
---------------------------	--------

Interface

Network Connector	1 x RJ-45 10/100BaseT(X) Auto negotiation, Auto MDI/MDI-X function, Full/Half duplex 1 x 100M SC Multi-Mode 2 km
--------------------------	--

LED Indicators	PWR(Power)(Green): ON Power is detected LK/Act (Green): ON - Fiber is detected Flashing Data is transmitting/receiving
-----------------------	--

LED Indicators	RJ-45 port Green: ON - TX link is detected Flashing TX data is transmitting/receiving Amber: ON 100M speed is detected OFF - 10M speed is detected
-----------------------	--

DIP Switch	DIP1: ON - Converter Mode OFF Switch Mode (Default) DIP2: ON - LFP enable OFF - LFP disable (Default) LFP(Link OFF - 10M speed is detected Fault Pass Through)
-------------------	--

Power Requirements

Power Input	18V-36VAC, 12V-60VDC, DC Jack terminal cable supported (DC Barrel Connector)
--------------------	---

Overload Current Protection	Present
------------------------------------	---------

Reverse Polarity Protection	Present
------------------------------------	---------

Power Consumption	Full Load: 1.92Watts at 48VDC
--------------------------	-------------------------------

Connector protection	ESD protection diodes on TX port
-----------------------------	----------------------------------

Conformance to UL Standards	Use Isolated power supply to conform with UL 508 standard
------------------------------------	---

Mechanical Characteristics

Housing	IP30 Design, high graded Aluminum
----------------	-----------------------------------

Case Dimension (L X W X D)	59 x 36 x 50 mm (L x W x D)
-----------------------------------	-----------------------------

Installation	DIN-Rail mounted, Panel Mounted
---------------------	---------------------------------

Environmental Limits

Operating Temperature	-40°C~75°C
Storage Temperature	-40°C to 85°C
Operating Humidity	5% to 95% (Non-condensing)

Regulatory Approvals

EMI	FCC Part 15 Subpart B Class A, CE EN 55022 Class A
EMC/EMS	CE, FCC, VCCI
Safety	EN60950-1
Environmental	RoHS, REACH

Ordering Information

EB1011SC-MM SC	Industrial Media Converter (Multi Mode)
----------------	---

Due to continuous improvement, all product specifications are subject to change without further notice.